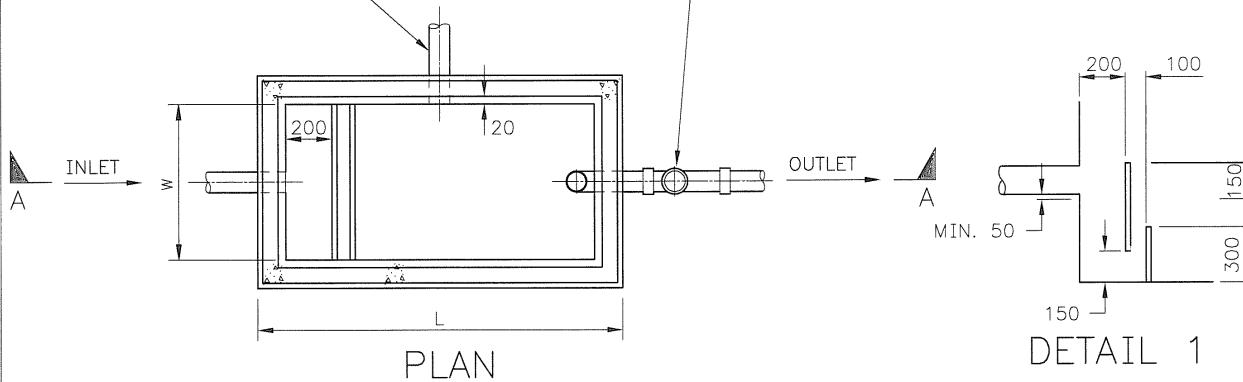


SECTION A

INDUSTRIAL WASTE SAMPLING POINT
TYPICAL DRAWING HX33-11-30

DN80 EVP
LOCATED
IN CENTRE



PLAN

DETAIL 1

NOTES

1. PLEASE NOTE THIS DRAWING IS NOT A STAND ALONE DOCUMENT AND **MUST BE READ** IN CONJUNCTION WITH "INSTALLATION GUIDELINES FOR GREASE ARRESTORS - PUB23B."
2. ALL MEASUREMENTS SHOWN IN MILLIMETRES.

D	01/2012		GUIDELINES DELETED, NEW NOTES ADDED & DIMENSION MODIFIED	BJ	NO	<i>All</i>
C	06/2009		NOTES 9 & 10 MODIFIED & NOTES 16 & 17 ADDED	RY	GC	AM
B	12/2005		NOTE 15 ADDED	KLM	AM	VM
ISSUE	DATE	GRID	REVISION	DRN	REC	APPD

LEGEND

IWSP - INDUSTRIAL WASTE SAMPLING POINT
EVP - EDUCT VENT PIPE

SCALE: DIAGRAMMATIC

DES CALC	RECOMMENDED	01/08/2005
DES CHD	A MANZINGER	
DRN	SENIOR ASSESSMENTS OFFICER	
K MCGREGOR	APPROVED	01/08/2005
Q.C. CHD	J HEWETT	
G CLEAVER	MANAGER, INDUSTRIAL WASTES	



WATER CORPORATION
TYPICAL DRAWINGS FOR INDUSTRIAL WASTE
GREASE ARRESTOR
FORMERLY TYPICAL DRAWING 1000

FILE	PLAN	CAD	ISSUE
PROJECT	HX33-10-00	D	MF

ORIGINAL SHEET SIZE
A3